

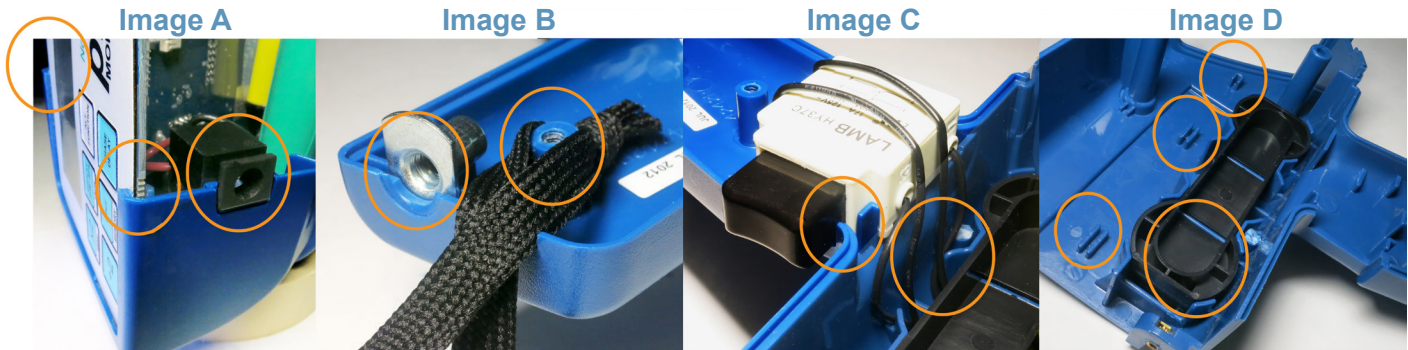
Nova-Strobe Battery Replacement Instructions

For all Nova-Strobe models

Before you open the housing, know that during the reassembly there are multiple points that need to align correctly to close the housing securely.

Some of them include:

- A** — Display board sits in groove
- A** — DC Connector spans both case halves
- B** — Mounting T-nut sits in slot as shown
- B** — Lanyard knot surrounds screw standoff and protrudes through the notch in the case
- C** — Trigger sits in case brackets with wires tucked out of the way
- D** — PCB aligns in a retaining groove
- D** — Battery holders (2) nests in brackets, there is a right and wrong way to insert them

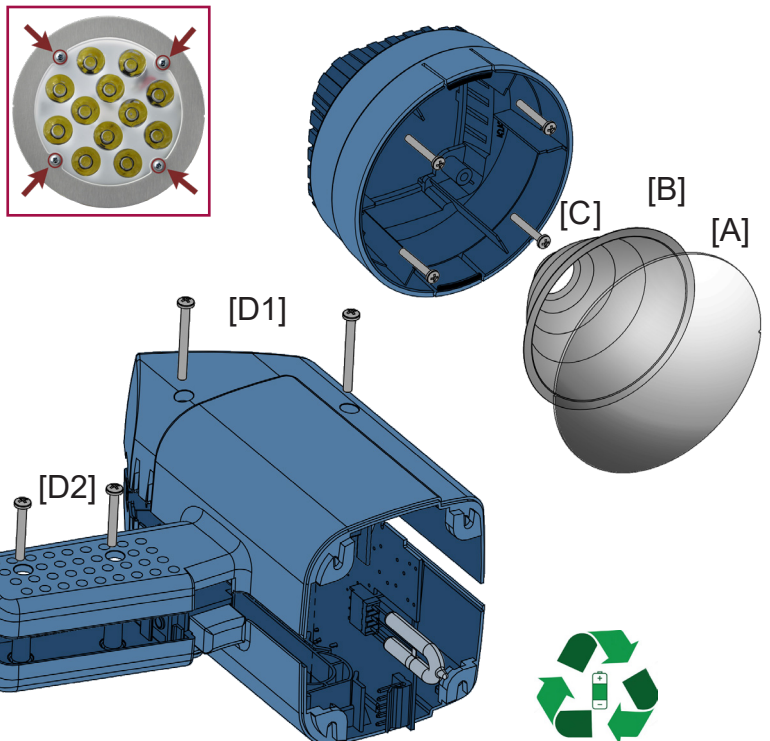


Dismantling the unit is the easy part. . .

1. Remove the lens [A] by separating the two tabs that hold it in place.
 - 1a) For LED models, there are two (2) internal wires connecting the white connector that will need to be carefully removed.
2. Slide the reflector [B] and lamp out as detailed in the Lamp Replacement section of the User Manual.
3. The four (4) screws [C] must be removed so the reflector housing can be detached from the main body.
4. Remove the four (4) additional screws [D1] & [D2] in the case halves opposite the input and output jacks.
5. The case halves can now be separated, exposing the batteries; the batteries should be sent to a recycling center or returned to Monarch for proper disposal.

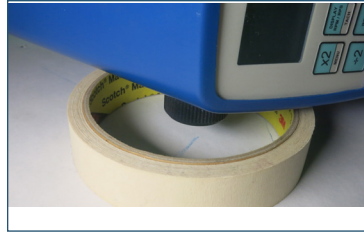
IMPORTANT!

LED VERSION - DO NOT REMOVE THE SCREWS ON THE LENS! THE LED LENS POPS OUT LIKE THE XENON CLEAR LENS - NO NEED TO UNSCREW. USE TABS TO REMOVE HOUSING.



Helpful Tip:

Placing the left side of the case on a roll of tape or other lift will prevent the speed knob from pushing the PCB out of the retaining slots when aligning all.



Replacing the Battery

1. Be sure that the replacement battery is plugged into the PCB firmly.
2. Carefully place the right half (1055-4241-111) onto the left (1055-4242-111).
3. Align the display board [E], battery [F], and main PCB [G] into the slots provide in the case.
4. Align the display and battery first, then from the front of the unit, guide the PC Board into the retaining slots with a wooden stick. Ensure the trigger wires [H] and DC Jack [I] are properly in place.
5. Fasten both halves using two 2" self tapping screws [D] (1053-3328-001) through the body of the right half. Do not over tighten screws.
6. Gently pry apart case halves at the base of the handle and insert T-nut [J] (1053-0270-001) into slot in left handle.
7. Slip knotted end of wrist strap [K] (3051-2000-015) over left half handle standoff and through slot provided.
8. Carefully press case handles together, ensuring the wrist strap fits into the notch provided and no wires are pinched between the case halves.
9. Reattach the reflector housing.
10. Do not over tighten screws [C], [D1], [D2].

