



PS-12 Inductive Proximity Switch



SAFEGUARDS AND PRECAUTIONS:



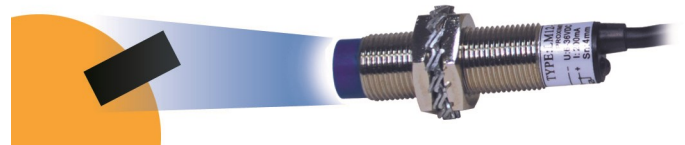
Read and follow all instructions in this instruction sheet carefully, and retain this sheet for future reference.

Do not use this instrument in any manner inconsistent with these operating instructions or under any conditions that exceed the environmental specifications stated.

This instrument is not user serviceable. For technical assistance, contact the sales organization from which you purchased the product.

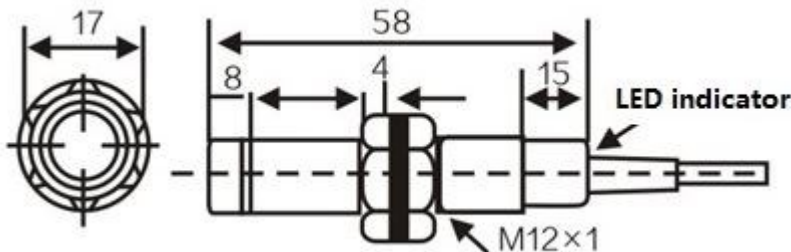
DESCRIPTION:

The PS-12 is a three wire sensor that outputs an open collector PNP pulse. The sensor operates at a 0.15 inch (4 mm) gap with a 0.45 inch (12 mm) target and has a red LED on-target indicator. The sensor is housed in a threaded metal IP67 shell and supplied with an M12 nut and 6-foot shielded cable with tinned wires.

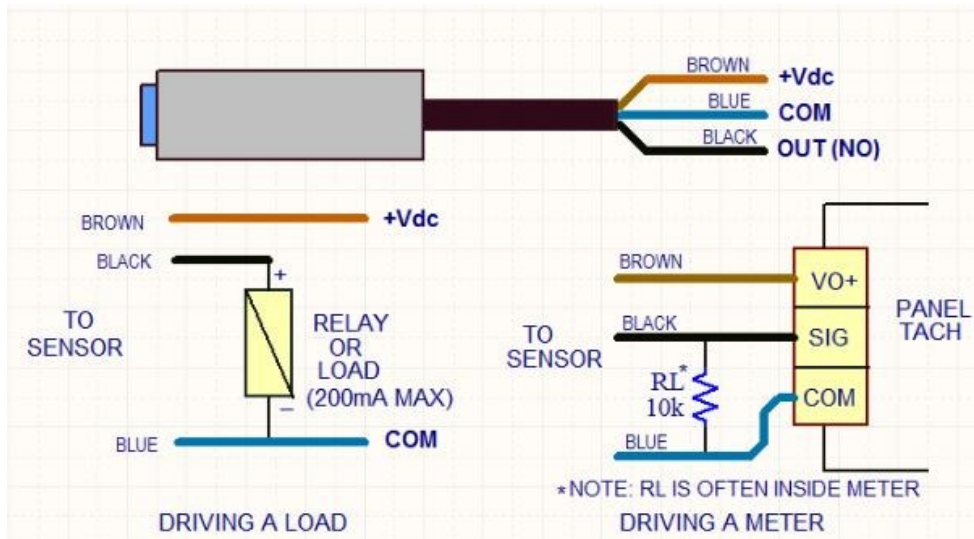


SPECIFICATIONS:

Input Voltage:	6 - 36 Vdc @ 15 mA
Output:	Open Collector PNP - Normally Open (NO)
Sensing Distance:	0.15" (4 mm) - Target should be at least = sensor diameter
Sense Indicator:	LED indicates target present
Max Speed:	24,000 RPM (400 Hz)
Operating Temp.:	-13° to +167° F [-25° to +75° C]
Cable Length:	6 feet [1.8 m]
Material:	Threaded metal
Protection:	IP67
Mechanical:	Standard Size: M12
Dimensions:	2.0" (L) x 0.48" diameter [50 x 12 mm]



CONNECTION DETAIL:

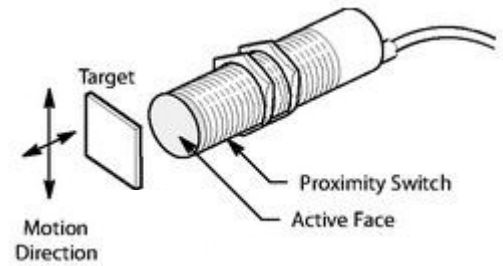


OPERATING PRINCIPLE:

Inductive proximity switches are used for non-contact detection of metallic objects. Their operating principle is based on a coil and oscillator that creates an electromagnetic field in the close surroundings of the sensing surface. The presence of a metallic object in the operating area causes a dampening of the oscillation amplitude. The rise or fall of such oscillation is identified by a threshold circuit that changes the output of the sensor. Current consumption of an inductive proximity switch decreases proportional to the metal object distance.

SETTING OPERATING DISTANCE:

To ensure stable operation at environmental extremes, the sensing distance should be set to 80% of the rated distance. The detection distance is dependent upon the size and material of the target. The PS-12 is specified for an iron target. A stainless steel target will reduce the sensing distance to 50%. Brass, Aluminum or Copper targets will reduce the sensing distance to around 40%.



In order to comply with EU Directive 2012/19/EU on Waste Electrical and Electronic Equipment (WEEE):

This product may contain material which could be hazardous to human health and the environment. DO NOT DISPOSE of this product as unsorted municipal waste. This product needs to be RECYCLED in accordance with local regulations, contact your local authorities for more information. This product may be returnable to your distributor for recycling - contact the distributor for details.

CE Compliant. RoHS Compliant.

Monarch Instrument's Limited Warranty applies. See www.monarchinstrument.com for details.

Warranty Registration and Extended Warranty coverage available online at www.monarchinstrument.com.

Monarch Instrument
15 Columbia Drive
Amherst, NH 03031 USA
Phone: (603) 883-3390
Fax: (603) 886-3300
E-mail: support@monarchinstrument.com
Website: www.monarchinstrument.com

1071-4180-411

0916