



Field Installation Instruction Serial Interface Option for the DIN Standard [144 mm x 144 mm] Data Recorder

WARNING: Due to hazardous voltages on the Rear Terminal Panel, use extreme caution when installing or servicing your instrument. Please read the entire contents of the Installation and Wiring Chapter before attempting to install or service your instrument.

WARNING: Before attempting to remove the unit from the panel, opening the front or working on the back of the instrument, ensure that the AC mains to the unit is **SWITCHED OFF** and **REMOVE THE POWER CORD** from the socket on the rear panel. Ensure that all live connections to the rear panel terminals are **ISOLATED** before removing the wiring.



To install the Serial Interface Option into the DIN Standard [144 mm x 144 mm] Data Recorder:

1. From the back of the unit, remove the top and bottom blanking panels (see Figure 1) and set aside.

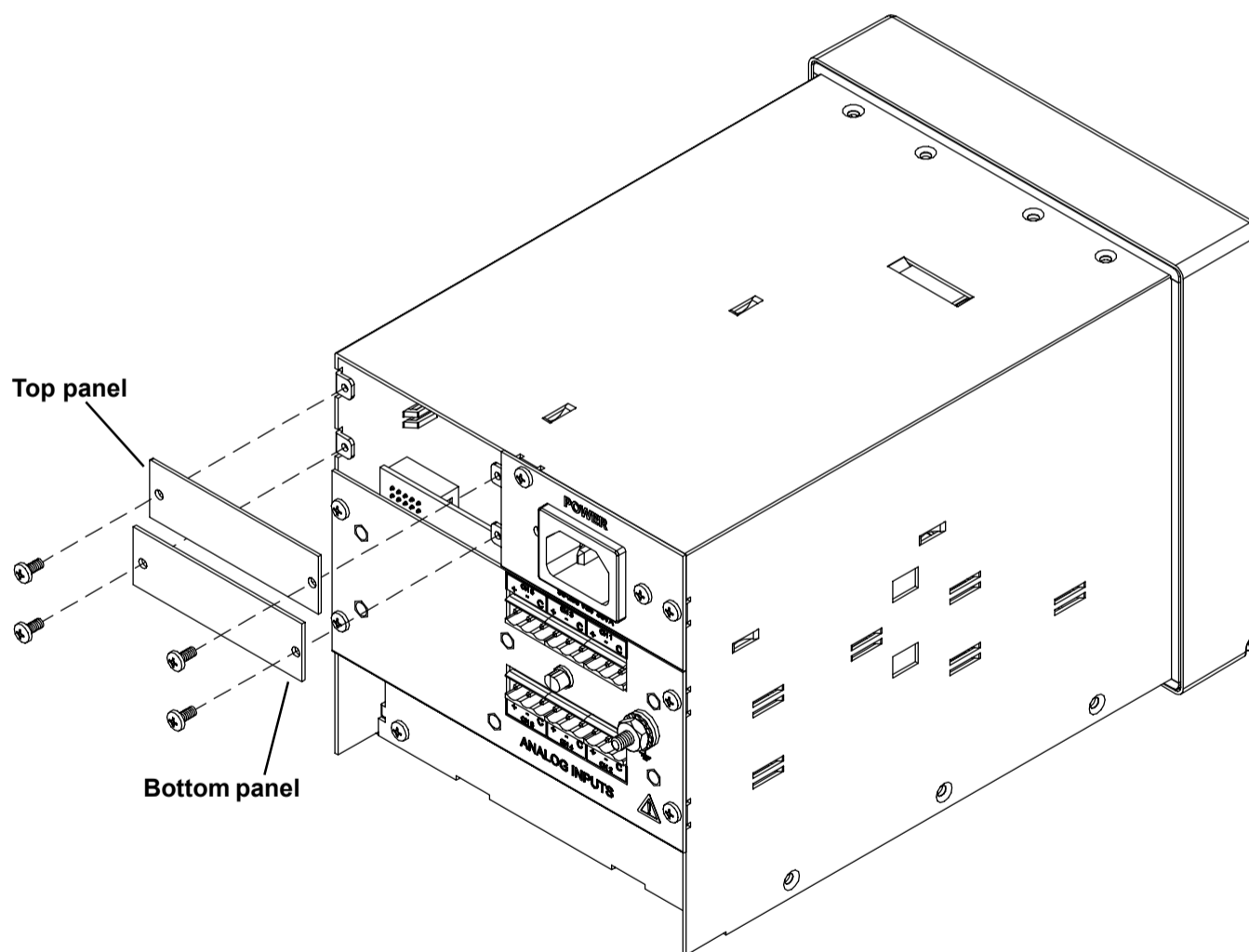


Figure 1 Blanking Panel Location



2. Reaching into the hole where the blanking panels were removed, connect the cable from the Serial Interface board to the connector on the back side of the backplane board (see Figure 2).

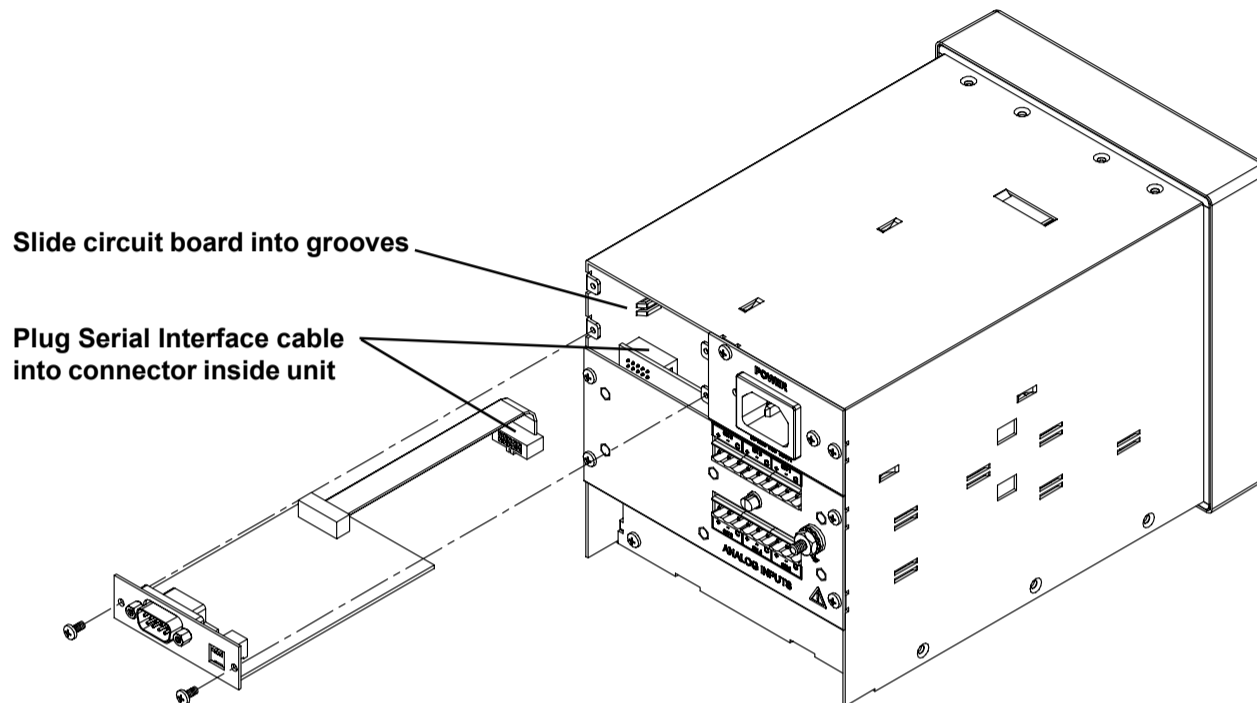


Figure 2 Serial Interface Board Installation

3. Slide the Serial Interface board into the case lining it up with the grooves.
4. Attach the Serial Interface board onto the back of the recorder using the two screws from step 1.
5. Replace the top blanking panel using the remaining two screws.