



**MONARCH INSTRUMENT**  
*the professional's choice*

# Field Installation Instruction

**Upgrading to a CompactFlash™  
Drive in the DIN Standard  
[144 mm x 144 mm] Data Recorder**

# Field Installation Instruction

## Upgrading to a CompactFlash™ Drive in the DIN Standard [144 mm x 144 mm] Data Recorder

**CAUTION:** Observe ESD precautions.

**WARNING:** Due to hazardous voltages on the Rear Terminal Panel, use extreme caution when installing or servicing your instrument. Please read the entire contents of the Installation and Wiring Chapter before attempting to install or service your instrument.

**WARNING:** Before attempting to remove the unit from the panel, opening the front or working on the back of the instrument, ensure that the AC mains to the unit is **SWITCHED OFF** and **REMOVE THE POWER CORD** from the socket on the rear panel. Ensure that all live connections to the rear panel terminals are **ISOLATED** before removing the wiring.



To upgrade to a CompactFlash™ Drive in the DIN Standard [144 mm x 144 mm] Data Recorder:

1. Unplug the unit, open the disk drive door and remove the two screws on either side of the drive (see Figure 1, drive door not shown for clarity).
2. Remove the display by gently pulling the bottom out and lifting up to unhook the display from the case.
3. Unplug the gray ribbon cable from the main board (location JK1) and lay the display assembly on its face.
4. For color units, unplug the longer white cable from the main board (connector not shown in Figure 1). For monochrome units, unplug the other gray ribbon cable from the display assembly.

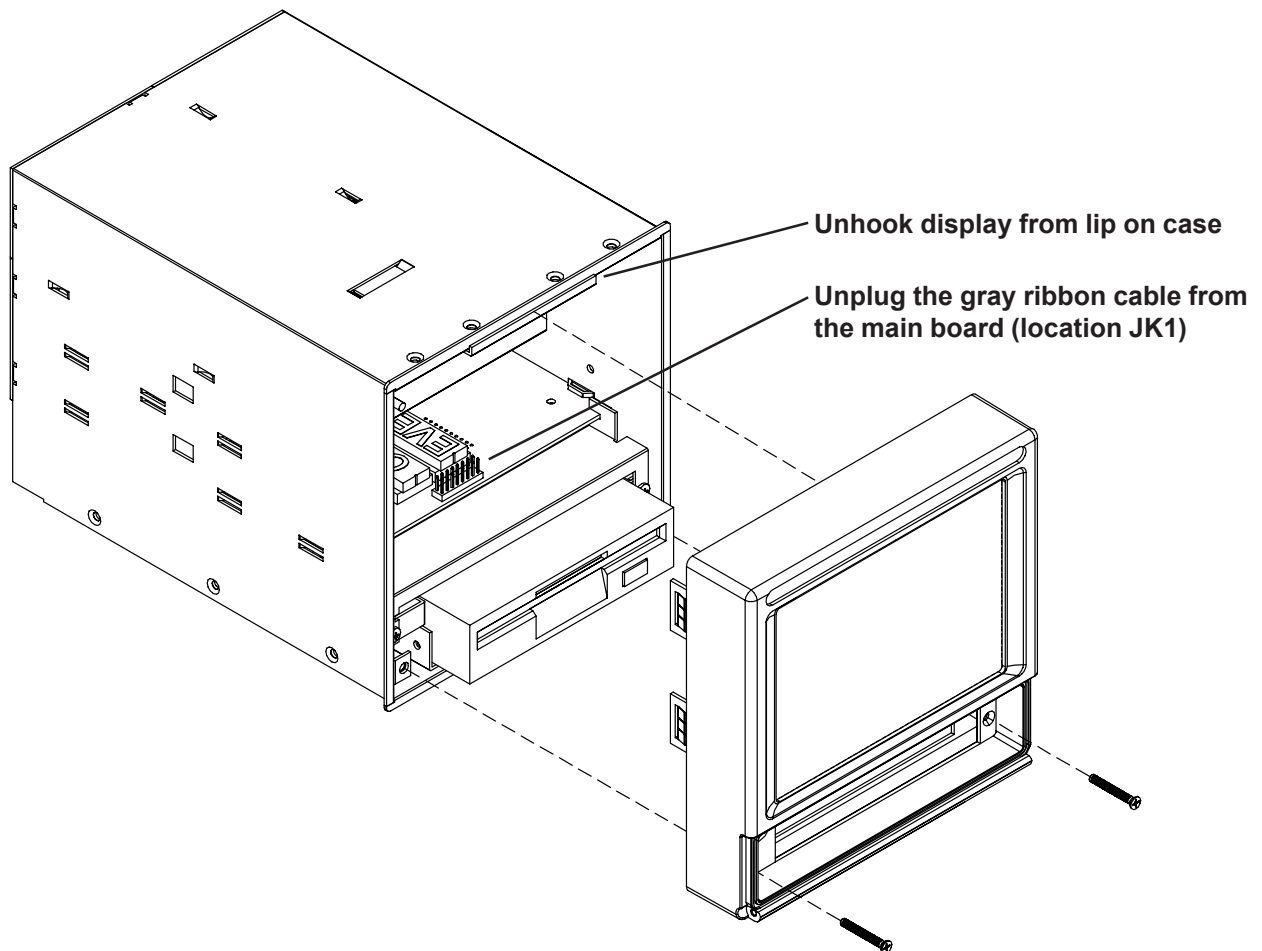
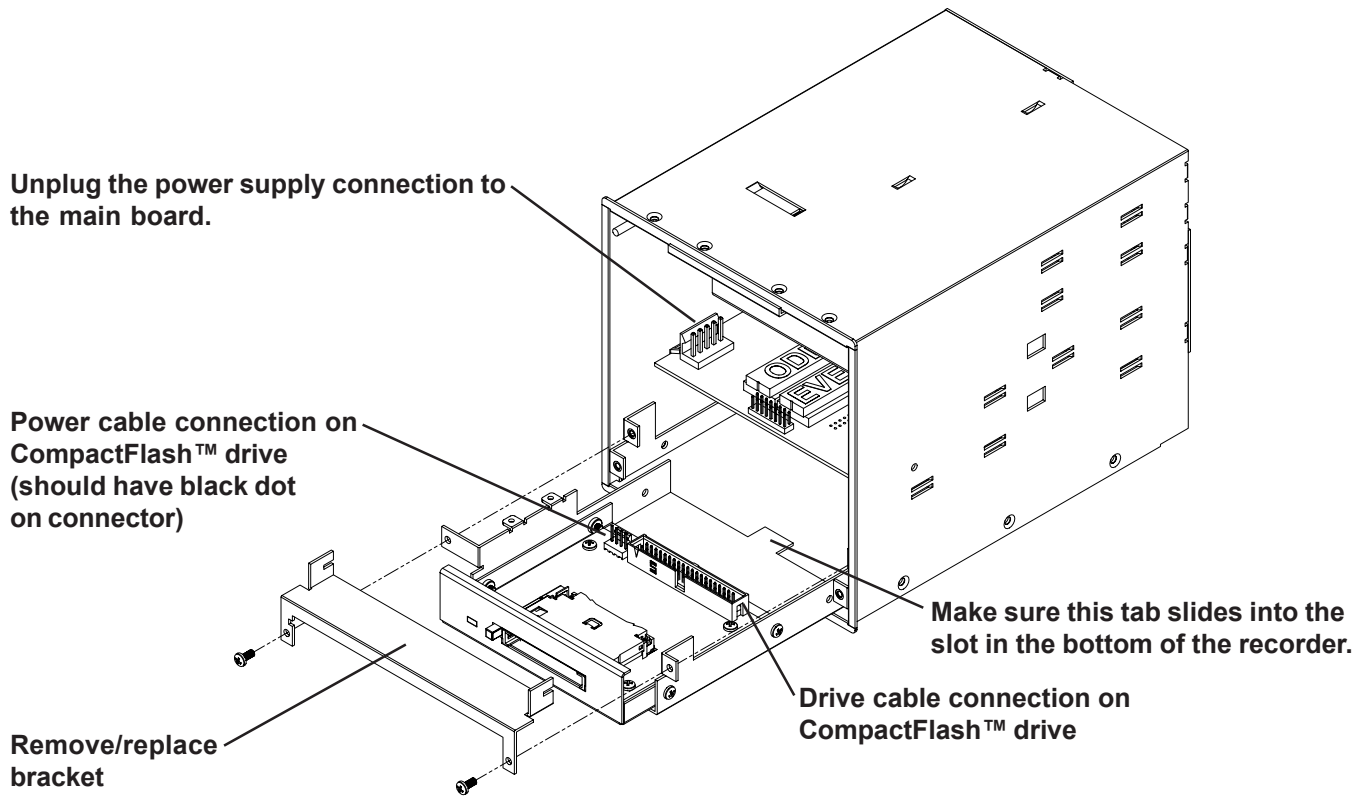


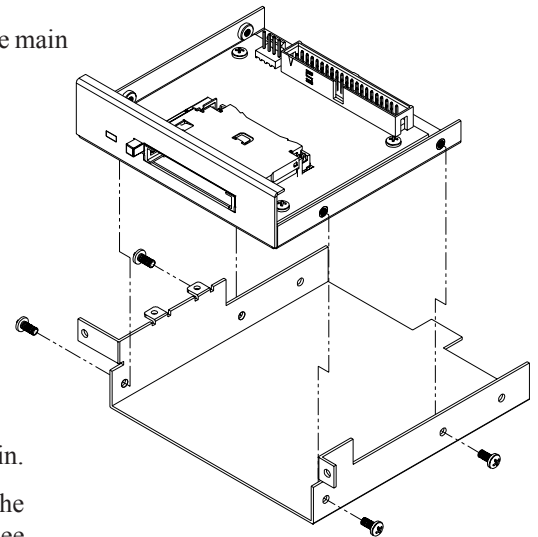
Figure 1 Removing the Display

5. Unplug the power supply connection to the main board (see Figure 2).



**Figure 2 Drive Removal**

6. Remove the bracket that holds the main board and drive in place, and slide the existing drive and main board out of the recorder (see Figure 2).
7. Unplug the power cable and the drive cable (gray ribbon) from underneath the main board.
8. Remove the existing drive from the drive carrier, and install the new CompactFlash™ drive into the drive carrier (see Figure 3).
9. Plug the drive cable (gray ribbon) on the CompactFlash™ drive assembly into the connector on the bottom of the main board. The cable will only fit one way.
10. Plug the power cable on the CompactFlash™ drive assembly into the connector on the bottom of the main board. The connector with the black dot should be plugged into the CompactFlash™ drive and the other end plugs into the main board.
11. Slide the main board back into the recorder making sure to push it all the way in.
12. Slide the CompactFlash™ drive into the recorder making sure the tab on the back of the drive assembly slides into the slot on the bottom of the recorder (see Figure 2).
13. Replace the bracket that holds the main board and drive in place (see Figure 2).
14. For color units, plug the long white cable back into the main board by pulling the connector casing forward, inserting the white cable back in and then pushing the connector casing back to lock the cable into place. For monochrome units, plug the gray ribbon cable (same cable from step 4) back into the display assembly.
15. Plug the gray ribbon cable (same cable from step 3) from the display assembly back into the main board.
16. Hook the top of the display onto the case lip, push the bottom of the display onto the case, and replace the two screws on either side of the disk drive.
17. Plug the unit back in to power on.



**Figure 3 Drive Carrier**