



Field Installation Instruction

Replacing the EPROM's in the DIN Standard [144 mm x 144 mm] Data Recorder

CAUTION: Observe ESD precautions.

WARNING: Due to hazardous voltages on the Rear Terminal Panel, use extreme caution when installing or servicing your instrument. Please read the entire contents of the Installation and Wiring Chapter before attempting to install or service your instrument.

WARNING: Before attempting to remove the unit from the panel, opening the front or working on the back of the instrument, ensure that the AC mains to the unit is **SWITCHED OFF** and **REMOVE THE POWER CORD** from the socket on the rear panel. Ensure that all live connections to the rear panel terminals are **ISOLATED** before removing the wiring.



To replace the EPROM's in the DIN Standard [144 mm x 144 mm] Data Recorder:

1. Before the unit is powered down, save your configuration file.



Make sure to save your configuration file before changing EPROM's. The recorder will recognize that the EPROM's have been changed and will erase the configuration. If the configuration file is not saved, you will have to re-program the unit again.

2. Unplug the unit, open the disk drive door and remove the two screws on either side of the drive (see Figure 1, drive door not shown for clarity).
3. Remove the display by gently pulling the bottom out and lifting up to unhook the display from the case.

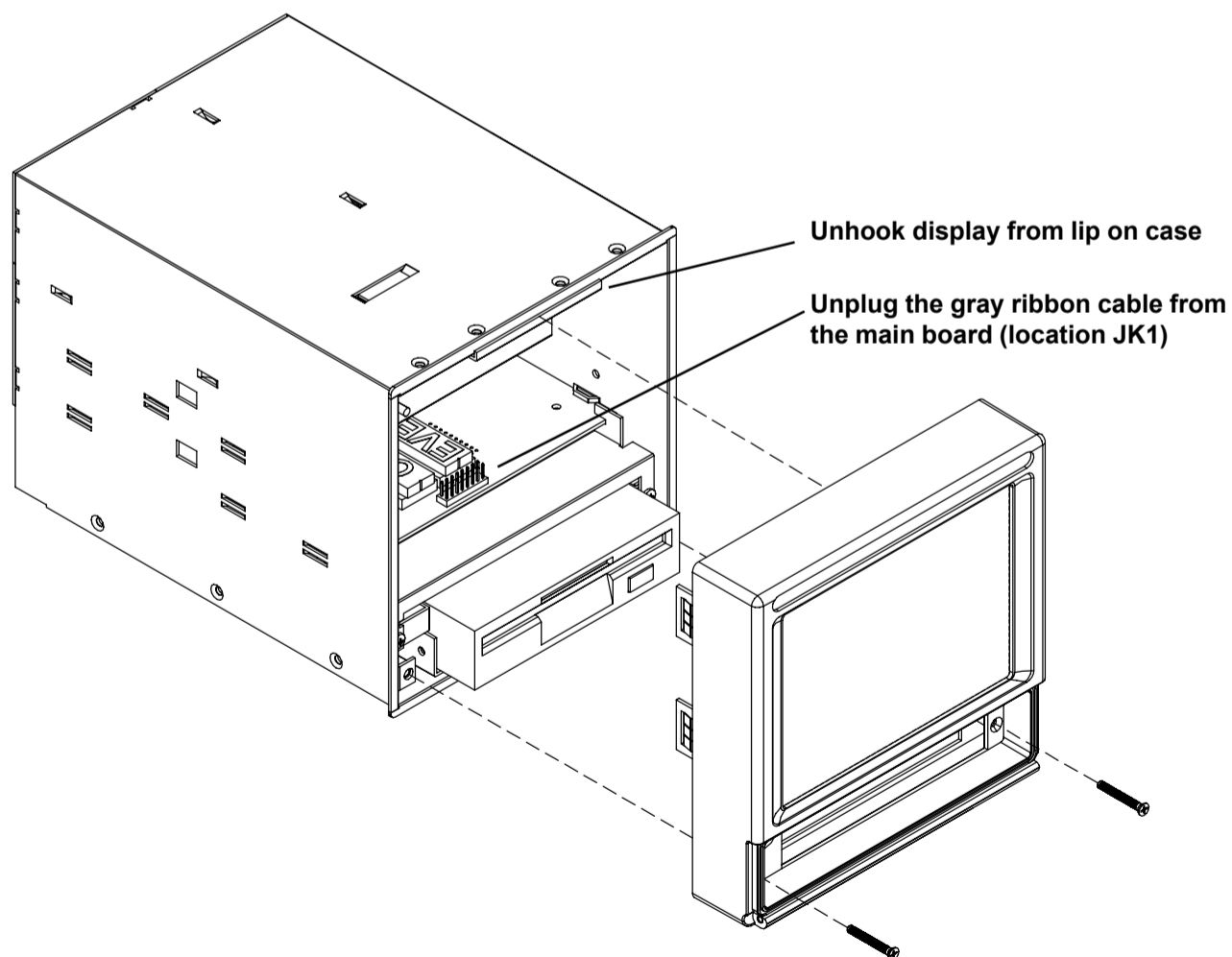


Figure 1 Removing the Display



MONARCH INSTRUMENT

the professional's choice

4. Unplug the gray ribbon cable from the main board (location JK1) and lay the display assembly on its face. The white ribbon cable is longer and does not need to be unplugged.
5. Carefully remove the two EPROM's by sliding a flat head screwdriver in between the EPROM and the socket.
6. Insert the two new EPROM's making sure that the odd EPROM is to the left and that pin one is oriented correctly (see Figure 2). Ensure that all pins are properly seated in the socket before pressing home.

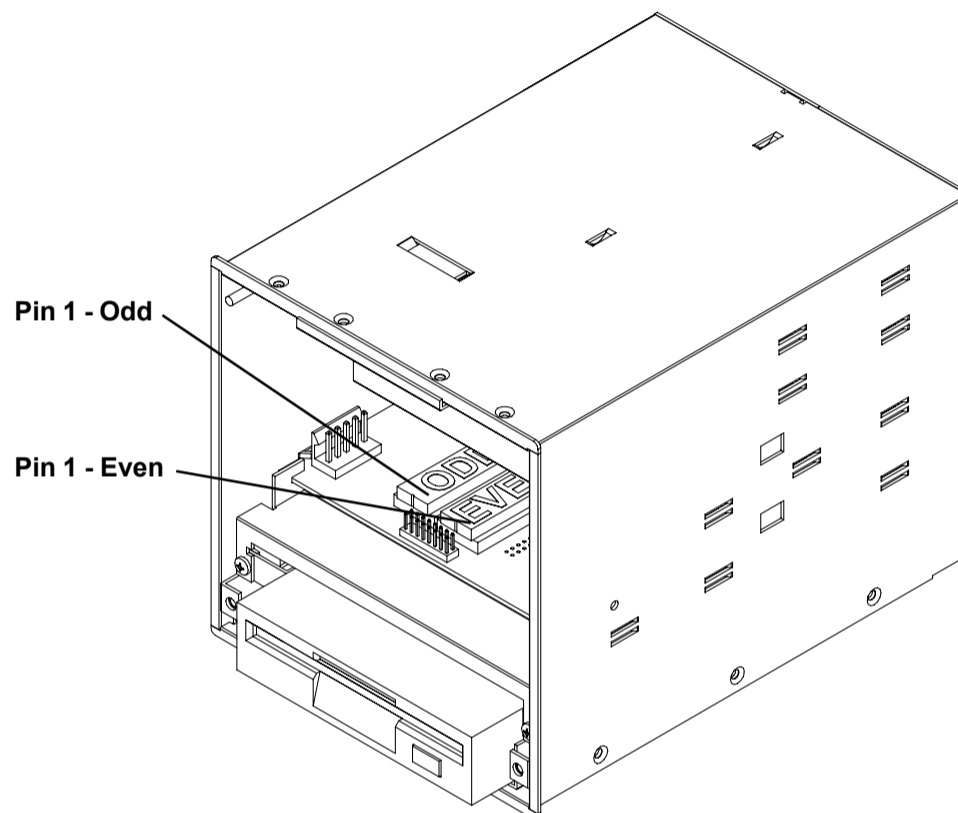


Figure 2 EPROM Installation

7. Plug the gray ribbon cable back into the main board.
8. Hook the top of the display onto the case lip, push the bottom of the display onto the case, and replace the two screws on either side of the disk drive.
9. Plug the unit back in to power on.

NOTE: The first time the unit is powered on with the new EPROM's, it goes through an extensive self-test which could take up to two minutes to complete. During the self-test the display will be blank and the unit will beep every 25-30 seconds until the test is done. This test is only run once, either when new EPROM's are installed or the battery has been replaced.

10. After the self-test is complete, the unit will recognize that the EPROM's have been changed. You will be prompted "New ROM Found X" where X = the amount of memory in the unit. Press **OK** and the unit will restart.
11. The unit is now ready to be reprogrammed or to re-load a saved configuration file.

NOTE: Incompatible configuration files can be converted using "Save as" in the latest Companion Software. Refer to the Companion Software help file.

1071-2000-112