



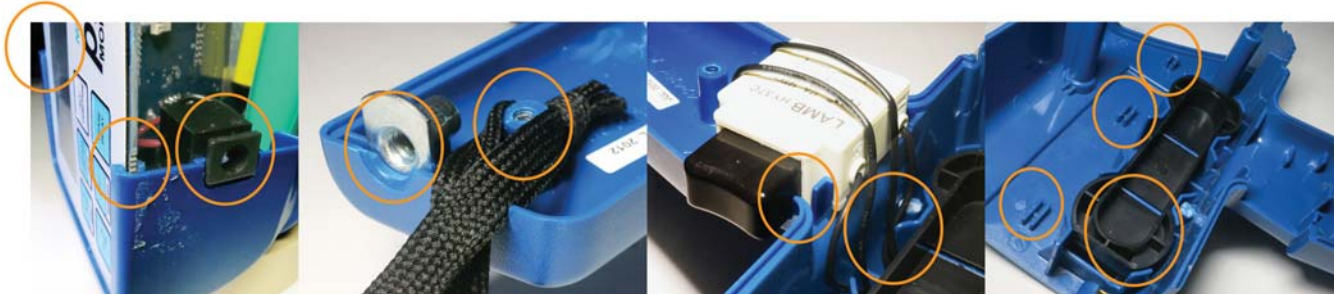
Nova-Strobe Battery Replacement

for models: Nova-Strobe BBX, Nova-Strobe DBX, and Phaser Strobe PBX, Vibration Strobe VBX

Before you open the case, know that during the reassembly there are multiple points that need to align correctly to close the case securely.

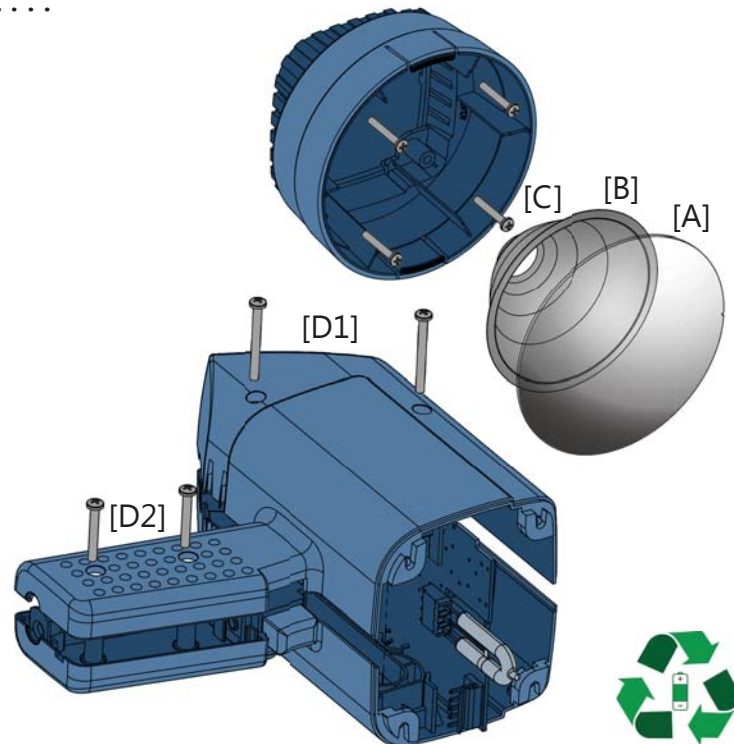
Some of them include:

- Display board sits in groove
- DC Connector spans both case halves
- Mounting T-nut sits in slot as shown
- Lanyard knot surrounds screw standoff and protrudes through the notch in the case
- Trigger sits in case brackets with wires tucked out of the way
- PCB aligns in a retaining groove
- Battery holders (2) nests in brackets, there is a right and wrong way to insert them



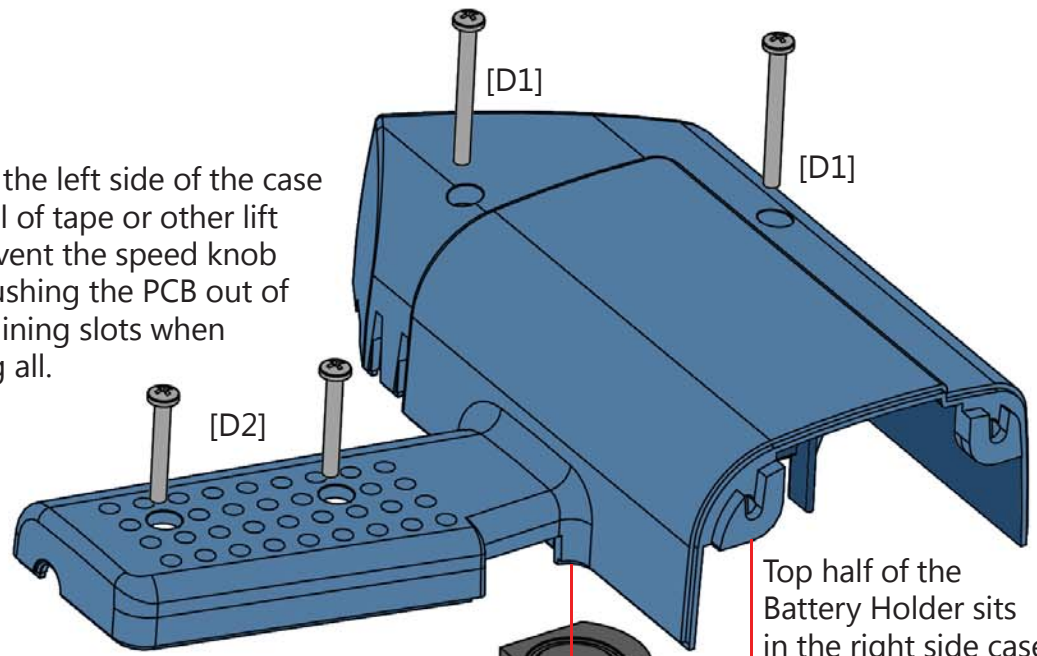
Taking the unit apart is the easy part . . .

To do this, [A] remove the lens by separating the two tabs that hold it in place. Put a piece of tape on the side of the lens that faces out so it can be installed correctly. Slide the reflector [B] and lamp out as detailed in the Lamp Replacement section of your manual. This will expose four screws [C] that must be removed so the reflector housing can be removed from the main body. There are then four additional screws [D1] & [D2] in the case halves opposite the input and output jacks that must be removed. The case halves can now be separated, exposing the batteries. They should be sent to a recycling center or returned to Monarch for disposal.

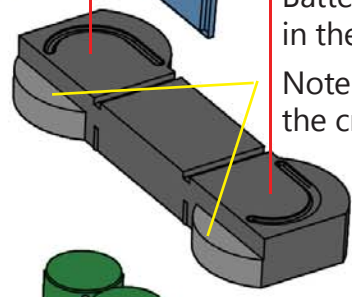




Placing the left side of the case on a roll of tape or other lift will prevent the speed knob from pushing the PCB out of the retaining slots when aligning all.



Top half of the Battery Holder sits in the right side case.
Note the position of the cradle guides



Replace the battery.

Ensure that the replacement battery is plugged into the PCB firmly. Carefully place the right half (1055-4241-111) onto the left (1055-4242-111). Align the display board [F], battery [G], and main PCB [H] into the slots provided in the case. Align the display and battery first, then from the front of the unit, guide the PC Board into the retaining slots with a wooden stick. Ensure the trigger wires [I] and DC Jack [J] are properly in place.

Fasten both halves using two 2" self tapping screws [D] (1053-3328-001) through the body of the right half. Do not over tighten screws.

Gently pry apart case halves at the base of the handle and insert tee nut [K] (1053-0270-001) into slot in left handle.

Slip knotted end of wrist strap [L] (3051-2000-015) over left half handle standoff and through slot provided.

Carefully press case handles together, ensuring the wrist strap fits into the notch provided and no wires are pinched between the case halves.

Re-attach the reflector housing.

Do not over tighten screws [C], [D1], [D2].

